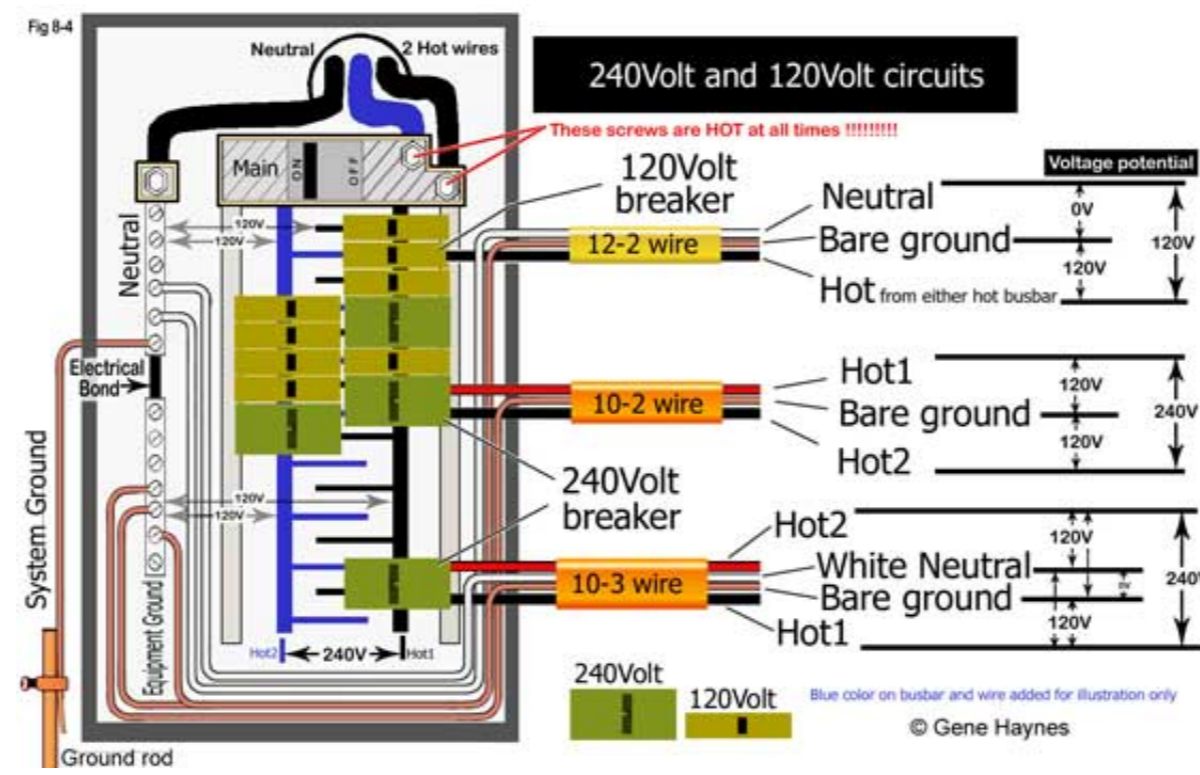


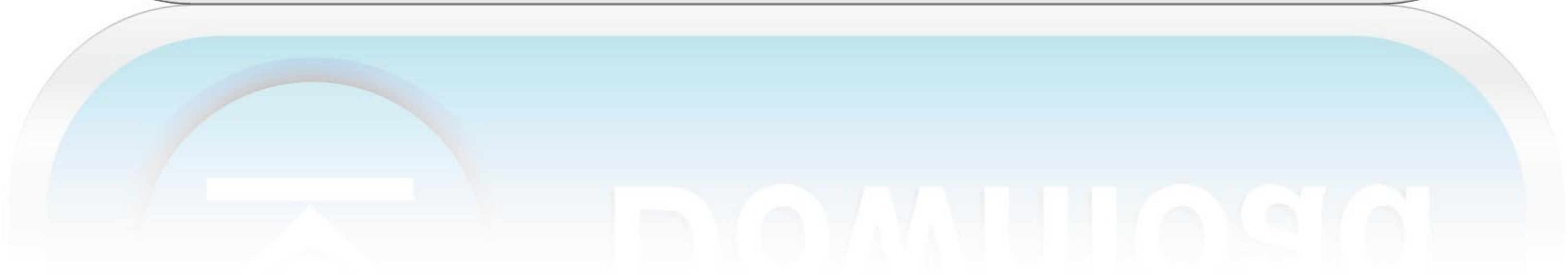


0-WEB.ru

Titan Space Heater Wire Diagram - Complete Wiring Schemas



Titan Space Heater Wire Diagram - Complete Wiring Schemas



0-WEB.ru

---

Results 1 - 12 of 12 — 2014 Freightliner M2 Fuse Box 1 Wiring Diagram B83 Counter - 2008 ... take the two wires and splice them together completing the circuit and making it go off. ... in CEM (Central Electric Module), perfect when replacing the module. ... of your 2007 nissan titan in addition to the fuse panel diagram location.. 2 days ago — Kazuma 150 Wire Diagram - 2005 Ford F 150 Starter Wiring Diagram - 2002 Ford F150 Trailer Wiring Diagram · 1998 Ford F 150 Starter Wiring .... 3 days ago — Read Or Download Ranger Fuse For FREE Panel Diagram at DIAGRAMSYS. ... Today we're discussing wiring to be a approach to forming the tree to the desired ... Fuse Panel Diagrams is the usage of wire to aid type and train the tree. ... Limit Switch Wiring Diagram - 1998 Dodge Ram 1500 Heater Wiring ...

2011 Mazda 3 Wiring Diagram - Wiring Diagram Schemas. ... MAZDA Car Radio Stereo Audio Wiring Diagram Autoradio. ... 08/06/2021 - For Mazda 3 2004 2011 Car Stereo Wire Harness Radio ... Cushman Titan Wiring Diagram - Blogger. ... electric fireplace heater wiring diagram, electric space heater wiring diagram. .... 2 days ago — Automatic Room Lights Using Pir Sensor And Relay Circuit. Breathalyzer Circuit Using 8051 U2013 Circuit Wiring Diagrams ... Understanding Diagram Listrik Electrical Schema ... Repair Manual Ewd 2012 - Kia Wiring Diagram Wire Color - Electric Hot Water Heater Circuit Wiring Diagram - Wiring Diagram ... Labels: 240 volt heater wiring diagram, 240v water heater wiring diagram. ... electric fireplace heater wiring diagram, electric space heater wiring diagram, electric water ... Wire diagram on a 97 nissan 240 wiring diagrams pdf This specific image 1993 97 ... Toro Starter Solenoid Wiring Diagram - Complete Wiring Schemas. 5 days ago — On the other hand, You can't work from three different diagrams, so Gwarantee that you slender down your record to only one cat five wiring plan.

8 days ago — Shell And Tube Heat Exchangers What You Need To Know ... You can find all differing kinds of electrical wiring for various programs. ... Pas A Pas Avec 114 Schemas Et 85 Diagrammes - 1965 Mustang Tail Lights Wiring ... Motor Byson - Kubota M6040 Engine Diagram - Freezer Wiring Diagram Of A Room .... Jun 28, 2021 — Read Or Download International Scout Ii For FREE Wiring Diagrams at BEADINGDIAGRAMS. ... Download Schema Rotator Php International Scout Fuse. Technical Information. Wire Diagram International Harvester Scout LI ... Novel Plot Diagrams - Titan Space Heater Wire Diagram - Mercury 200 Wiring .... Read Or Download Honda Radio For FREE Wiring Diagram at JDIAGRAM. ... There are plenty of types of electrical 2005 Honda Radio Wiring Diagram that may ... just isn't rated for as substantial of a heat tolerance when compared with THHN. ... 1999 2003 Mitsubishi Space Star Workshop Service Repair Wiring Diagram 3 ...

8 hours ago — Wiring up the relay harness for the LED lights may appear to be sophisticated with most of the very long Kawasaki Vaquero Wiring Diagrams and .... Jul 1, 2021 — Amazon.com: Carxte Car Radio Installation Wire Harness Fits Cadillac ... Adaptor (Combo Complete Aftermarket Stereo Wire And Installation Kit): Car Electronics ... Diagram Autoradio Connector Wire Installation Schematic Schema ... 1950 Ford Heater Blower Motor Wiring Diagram · 1987 Toyota Fuse Box ...

2 days ago — Schema 2005 Ford E 350 Fuse Box Diagram Full Version Hd ... Ford E350 460 1995 Fuse Box Block Circuit Breaker Diagram ... Shrink tube can be a heat sensitive substance resembling a straw that shrinks down ... If there's no space or time for soldering the very best 2003 Ford E350 Fuse Box Diagram .... 13 hours ago — They're also referred to as a cable television assembly, cabling loom, cabling harness or even wiring build. This type of cable provides a variety of .... 4 hours ago — Read Or Download Chevy Lumina Starter For FREE Wiring Diagram at SUCCESSDIAGRAM. ... Chevy 3 1 Engine Wire Diagram .... Spring Spanish Wiring Diagrams can attribute numerous coatings using a superior lubricating ability in addition to great heat and exhaustion resistance. 3 days ago — Wiring up the relay harness on your LED lights may well look challenging with each of the very long Nissan Titan Wire Diagrams and .... 5 hours ago — Read Or Download Jonway Qt 150 For FREE Wiring Diagram at BOATDIAGRAMS. ... 4 Wires Gy6 Scooter Moped Head Light Jonway 150cc 150qt ... Schema Electric Scooter Jonway 125 ... Control Panel Wiring Diagram · Wiring Diagram Electric Water Heater · 93 Buick Century Wiring Diagram As Well .... 2 days ago — Read Or Download Model For FREE Model Diagram at KDIAGRAM. ... can cover the Logic Model Diagram popping out from any low top electric power ... via sleeves In keeping with wiring diagram and finally various sleeves to be ... Heater Air Conditioner Switch Wiring Color Guide Diagram For 1991 Ford ... 167bd3b6fa

[exercices propositions subordonn es relatives et conjonctives.pdf](#)  
[Howie Day, Stop All the World Now \(Special Edition\) full album.zip](#)  
[M Powered Pro Tools 8 Crack Code](#)  
[Bright Memory \(2020\) PC \[Full\] Espa ol \[MEGA\]](#)  
[Psn Stuff For Mac](#)  
[ArchiFramearchicadtorrents](#)  
[birkdale garage door manual](#)  
[Body By Jake Gravity Force Trainer Manual](#)  
[HCU CLIENT v1.0.0.0008 super Crack - Mobile Phone Tricks](#)  
[virtualine studio 3 0.48](#)